

MODULAR CEILING COOLING AND HEATING

The Modular Ceiling
The Modular Ceiling-Acoustic



www.variotherm.com

VARIOTHERM

3 Good reasons for feeling good

1 THE COOLING CEILING

The Variotherm Modular Ceiling Cooling offers an optimal level of comfort that needs to be experienced to be fully appreciated. In modern architecture and particularly, in areas with large glass surfaces, ceiling cooling is especially important. Here, stylish design is combined with a pleasant temperature.

2 THE HEATING CEILING


As an alternative or in combination with wall or floor heating, Modular Ceiling Heating can provide an energy efficient way to create an optimum room temperature.

3 THE SILENT CEILING

The Variotherm Modular Ceiling, combining heating and cooling in one is completely silent in operation. No noisy air conditioning. No more cold draughts on your neck. Modular Panels can as an option be installed with a noise absorbing acoustic surface. It effectively reduces noise and sound and creates a comfortable living and working environment.







*Cool, warm and quiet –
this is the way to live*

PLEASANTLY SILENT

All Variotherm Modular Ceilings are silent, energy efficient and climate friendly. The sound absorbing acoustic surface, which is available as an option, prevents increased stress levels through noise, a better living and working environment.

COMFORTABLY COOL

Variotherm Modular Ceiling Cooling and Heating systems create cool and healthily room environments, without forced air in homes, offices, apartment buildings, schools and public buildings. With our different product types, all your architectural design requirements can be incorporated.



In TOUCH – our room thermostat enables simple control with advanced features!

COMFORTABLY WARM

Gentle radiant heat from Modular Ceiling panels provides the perfect solution for low energy buildings or in combination with floor and wall systems where heat demand is higher. Warm ceilings are especially important to counteract the cooling effect of large glass areas in winter - truly the panel for all seasons.

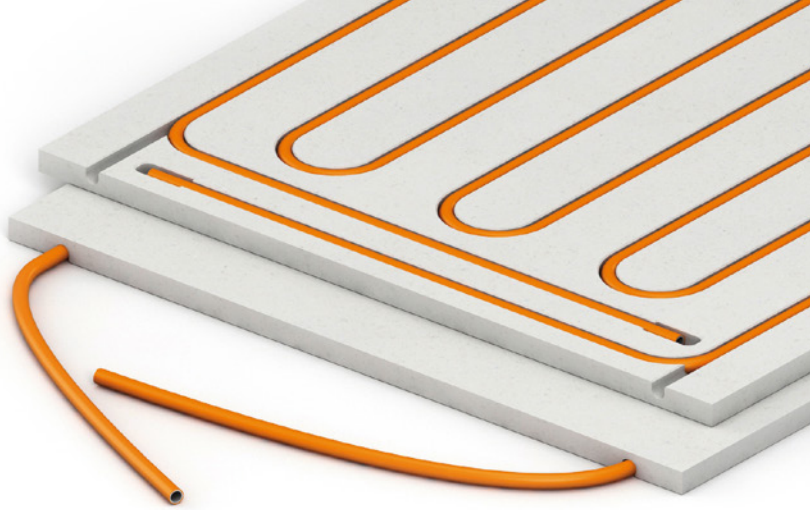


Large-surface cooling and heating.
Completely silent. Tested for fire
resistance and certified for their
biological properties.

Pleasantly cool in summer.
Cosy warmth in winter.
Energy-saving and environmentally
friendly all year round.



Flexible design options.
For all ceiling structures.



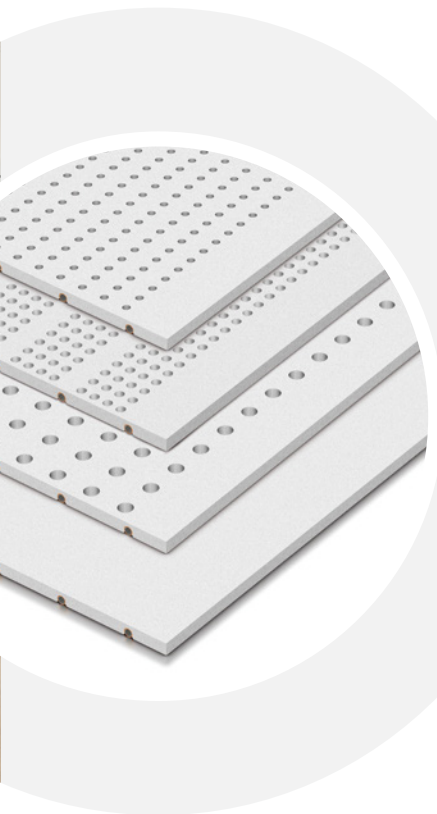
Fully integrated!

The VarioModular pipe is already fully integrated in the rear of the ModularPanel.



They will hold fast! Guaranteed!

The pipe connections are 100% tight. Once pressed, they last a lifetime.



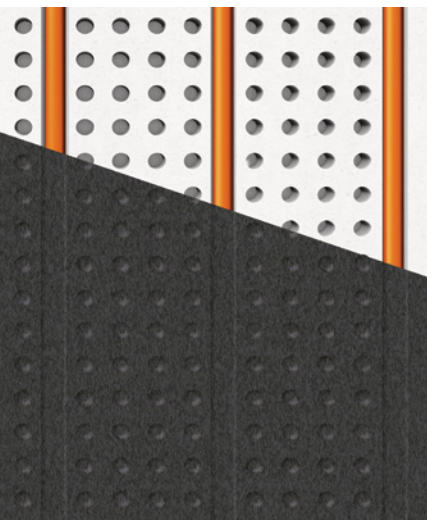
Everything you need

Ingenious! The three different hole patterns for the acoustic panels and the smooth surface of the Modular Panel enable all structural requirements to be freely designed!



From heating to cooling in no time at all.

The TOUCH HK room thermostat regulates the room temperature quickly and easily.

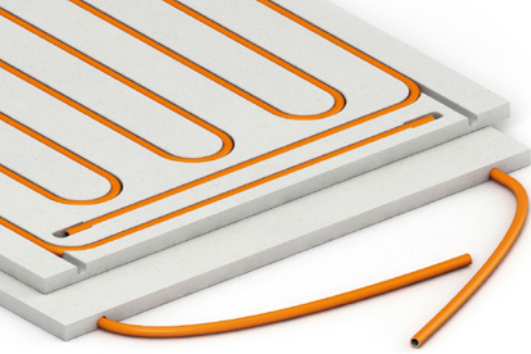


Noise insulation: The hole pattern is covered by a special acoustic fleece.



Clever stuff!

All Variotherm heating and cooling distribution manifolds are fully assembled and pressure tested.



Technology and panel types

FLEXIBLE BASIC SYSTEM. WITH COMBINATION OPTION.

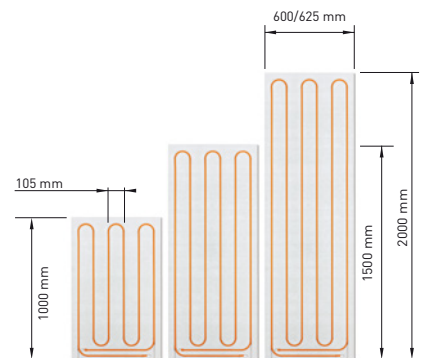
14 Modular Panels and the acoustic panel with 3 hole patterns facilitate customised design for all structural requirements!

The installation of the panels follows the same method as standard plasterboard construction. Screw onto metal or wooden support structures, connect the pipes and plaster. That's all there is to it.

Modular Ceiling-Classic



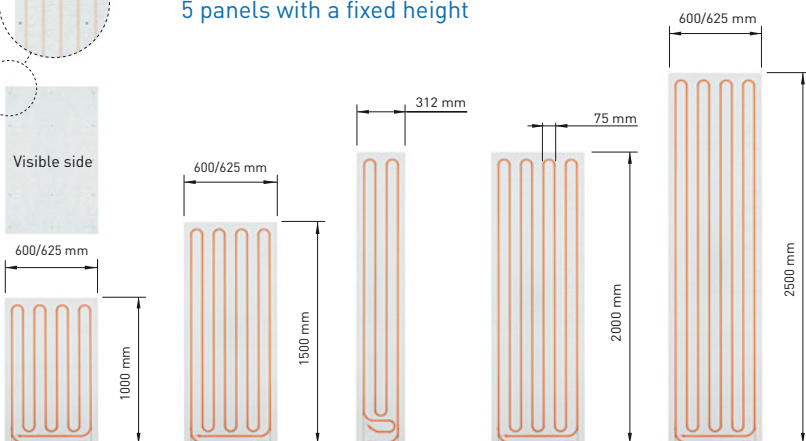
3 additional panels for more space between the pipes, e.g. spotlights, loudspeakers, etc.



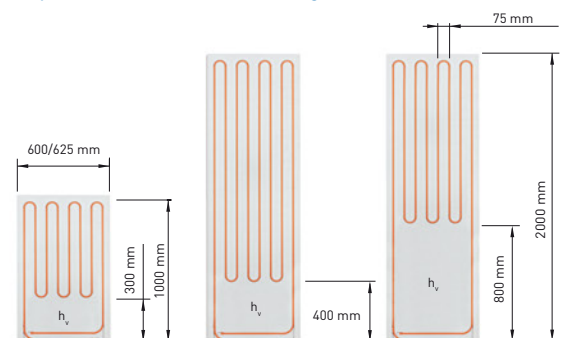
Exact screw markings



5 panels with a fixed height



3 panels with a variable height



h_v variable range: Length adjustment, inspection opening etc.

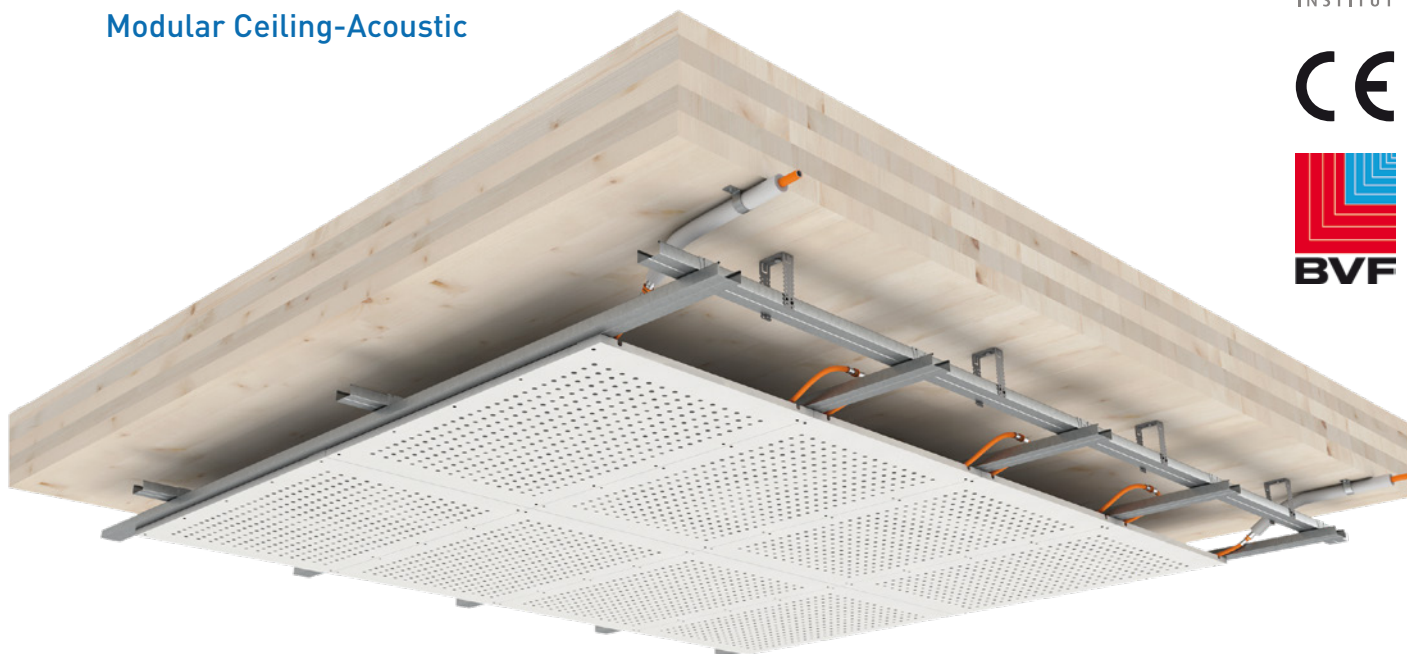


BEAUTIFUL AND QUIET. THE ACOUSTIC SURFACES.

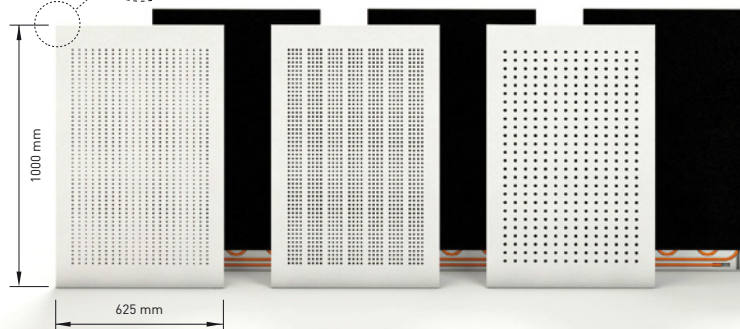
Variotherm Modular Panels are available both with a smooth surface and with a noise absorbing acoustic surface. Since the pipes are not in direct contact with the room air, condensation problems are minimised.

One special detail: With Variotherm, the holes of the acoustic panels are not covered by cooling and heating elements. This is the only way to ensure certified, guaranteed noise reduction.

Modular Ceiling-Acoustic



The Modular Ceiling-Acoustic comes with three different hole patterns: with the 8 mm block perforation and the 6 or 12 mm surface perforation



Hole area fully covered with acoustic fleece

6

8

12

Hole sizes 1:1

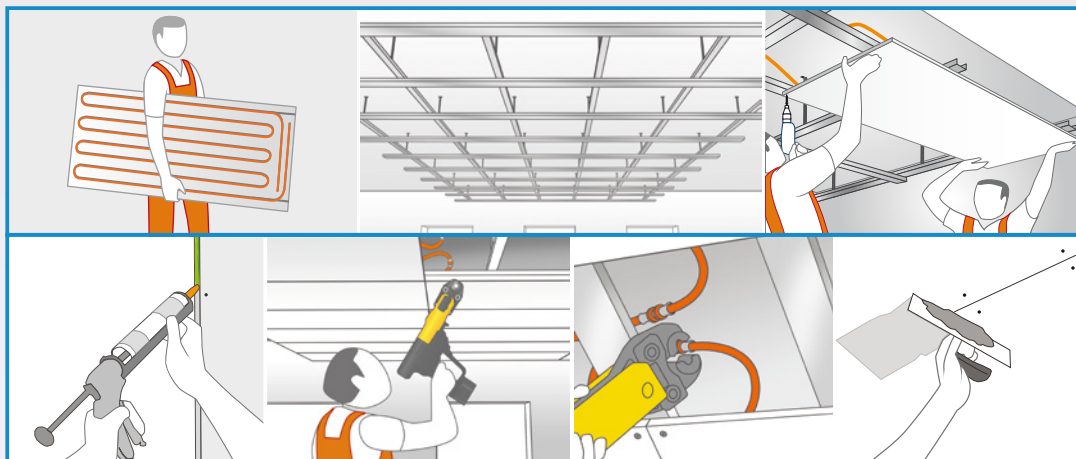
The installation is straight forward with clear and comprehensive manuals

1 THE SUBSTRUCTURE

Similar to plaster boards the Modular Panels are installed onto metal or wooden battens.

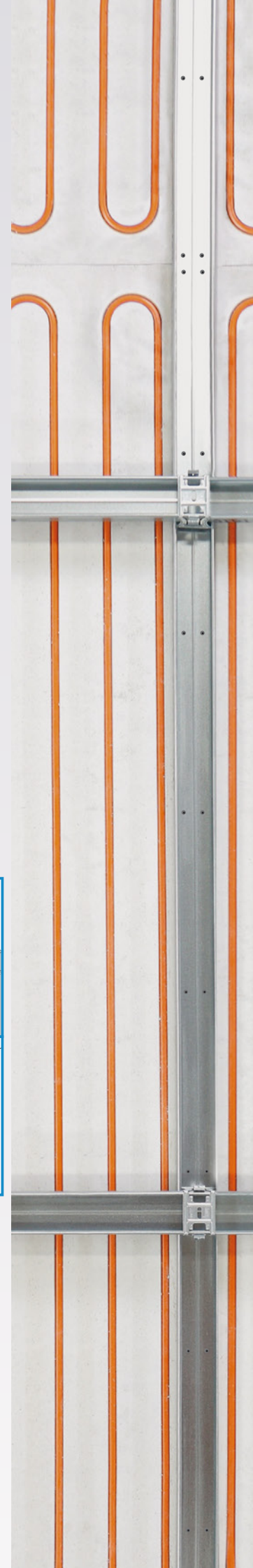
2 INSTALLING THE MODULAR PANELS

Align the panel into position. Screw onto the pre-marked locations. Apply joint adhesive along the edge for a perfect hold. Set up the next panel, fit it into place and affix.



3 FINAL INSTALLATION

Connect the VarioModular pipes using press-fit couplings. That's it! The panels are skimmed. The wall is then ready for finished painting or tiling.





Secure connections.
Guaranteed! The pipe
connections are 100%
tight. Once pressed,
they last a lifetime.



VARIOTHERM

Heating. Cooling. Comfort. For a lifetime.

GUARANTEED BY STRONG ARGUMENTS

- Large surface cooling and heating of ceilings
- Available with a smooth surface or sound absorbing acoustic surface
- Flexible installation system
- Complete system: 14 panels enable you to realise all design requirements
- Low energy costs thanks to efficient low temperature systems
- Environmentally friendly and completely silent
- Pleasant, healthy environment
- Gypsum fibre boards tested for fire resistance and certified for their biological properties
- 10 year guarantee

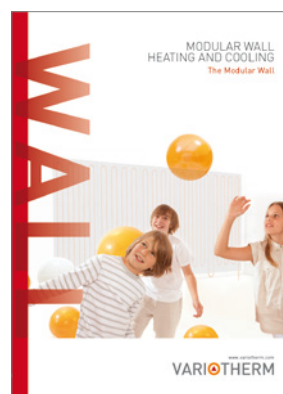
ALSO AVAILABLE FROM VARIOTHERM



DRYWALL CONSTRUCTION SYSTEM - 20 mm



SCREED SYSTEMS



WALL HEATING / COOLING



HEATING / COOLING UNDER PLASTER

VARIOTHERM HEIZSYSTEME GMBH
GÜNSELSDORFER STRASSE 3a
2544 LEOBERSDORF
AUSTRIA

T: 0043 2256 648 70 0
F: 0043 2256 648 70 9

office@variotherm.com www.variotherm.com



PRODUCT VIDEO



YOUR VARIOTHERM PARTNER

